

Aluminium Strip LED Profile

(White, Warm White, RGB and Colour Change)

Aluminium LED Extruded Profile can be used in conjunction with LED Strip Lighting. Applications include ;Shelf Lighting, Under Counter lighting, Trough Lighting, External and Internal Strip Lighting, Building Contour lighting

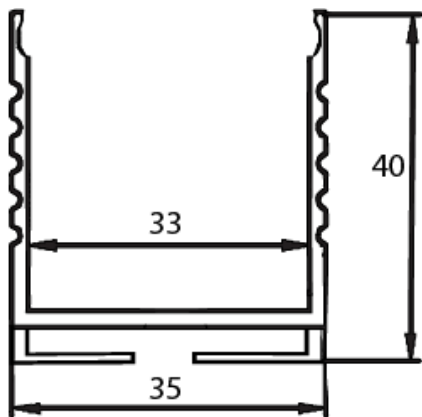
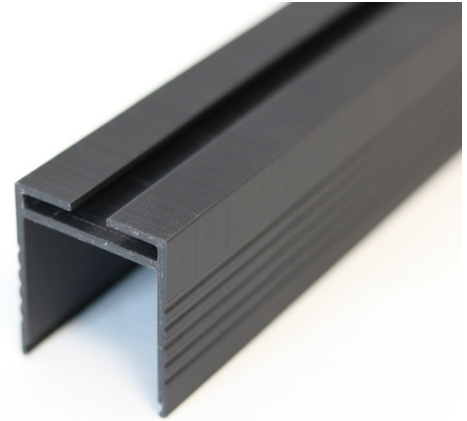
Lighting options are available IP20 to IP68 White 2200K to 6500K RGB, RGBW and Options with SPI control for Motion.

All in stock and ready to deliver to Our Trade customers.. Allowing bespoke sized striplight fittings to be assembled and fitted to the specification of the design. The profiles are available from 2 to 6 metre lengths and can be cut to size. We hold stock of slim line profiles, 45 degree profiles, 17.5 x 15mm profiles or 35x35mm profiles. LED Colour options include.

35x40mm Aluminium Profiles

Available in lengths up to 6 metres. This profile is perfect for Architectural applications where uninterrupted and uniform light is required. Suitable for suspended Linear lighting, Trough Lighting, Building Contour lighting. Suitable for 2mm Diffuser of Choice

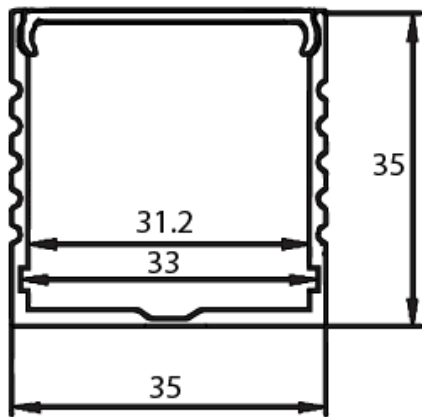
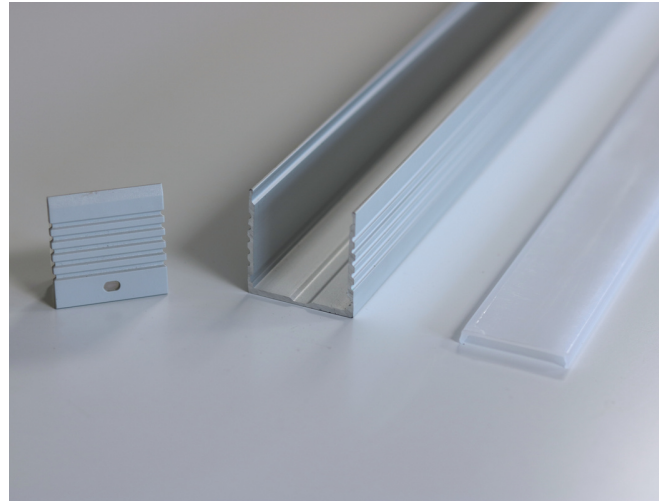
Colours available Anodized / Black / White / Mill Finish



Profile Material	Anodized Aluminium Extrusion
Cover	Milky
Length	2 Metre
IP Rating	IP20, IP65, IP67 and IP68
Mounting	Metal Mounting Clips
Light Colour	White, Warm White, RGB and Colour Change
Warranty	2 years
Working Temperature	-40°C to 70°C
Certification	CE & RoHS

35x35mm Aluminium Profiles

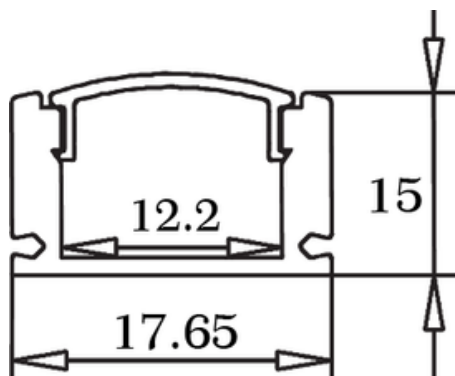
Available in lengths up to 2 metres in an ANodized finish. This profile is perfect for Architectural applications where uninterrupted and uniform light is required. Suitable for Linear lighting and Trough Lighting. End caps available to complete finished luminaire.



Profile Material	Anodized Aluminium Extrusion
Cover	Milky
Length	2 Metre
IP Rating	IP20, IP65, IP67 and IP68
Mounting	Metal Mounting Clips
Light Colour	White, Warm White, RGB and Colour Change
Warranty	2 years
Working Temperature	-40°C to 70°C
Certification	CE & RoHS

17.5x15mm Aluminium Profiles

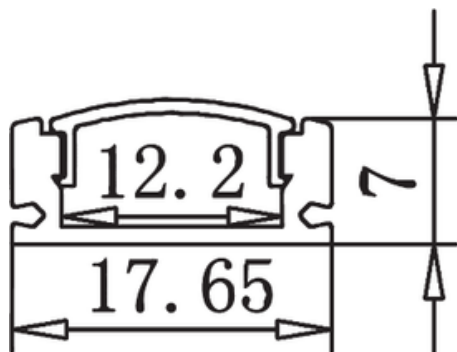
Available in lengths up to 2 metres in an Anodized finish. This profile is perfect for Architectural applications where uninterrupted and uniform light is required at a depth of just 15mm. Suitable for Linear lighting and where uniform light is required on the face of the profile. End caps available to complete finished luminaire.



Profile Material	Anodized Aluminium Extrusion
Cover	Milky
Length	2 Metre
IP Rating	IP20, IP65, IP67 and IP68
Mounting	Metal Mounting Clips
Light Colour	White, Warm White, RGB and Colour Change
Warranty	2 years
Working Temperature	-40°C to 70°C
Certification	CE & RoHS

17.5x7mm Aluminium Profiles

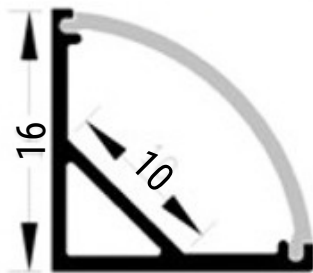
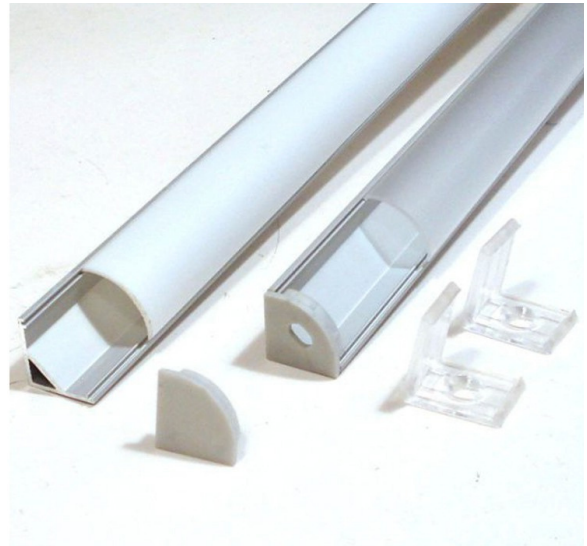
Available in lengths up to 2 metres in an Anodized finish. This profile is perfect for Architectural applications where Mechanical and Thermal protection is required for the LED strip. AT a depth of just 7mm. This profile works well for Linear lighting discreet under counter or shelf lighting. Giving a finished look to the led strip while adding protection. End caps available to complete finished luminaire.



Profile Material	Anodized Aluminium Extrusion
Cover	Milky
Length	2 Metre
IP Rating	IP20, IP65, IP67 and IP68
Mounting	Metal Mounting Clips
Light Colour	White, Warm White, RGB and Colour Change
Warranty	2 years
Working Temperature	-40°C to 70°C
Certification	CE & RoHS

35x40mm Aluminium Profiles

Available in lengths up to 2 metres in an Anodized finish. This profile is perfect for Architectural applications where Mechanical and Thermal protection is required for the LED strip. This profile works well for Linear lighting discreet under counter or shelf lighting with a 45degree angle allowing light to be thrown backwards and away from the eye. Perfect for illuminating Products set back on shelving. End caps available to complete finished luminaire.



Profile Material	Anodized Aluminium Extrusion
Cover	Milky
Lenght	2 Metre
IP Rating	IP20, IP65, IP67 and IP68
Mounting	Metal Mounting Clips
Light Colour	White, Warm White, RGB and Colour Change
Warranty	2 years
Working Temperature	-40°C to 70°C
Certification	CE & RoHS