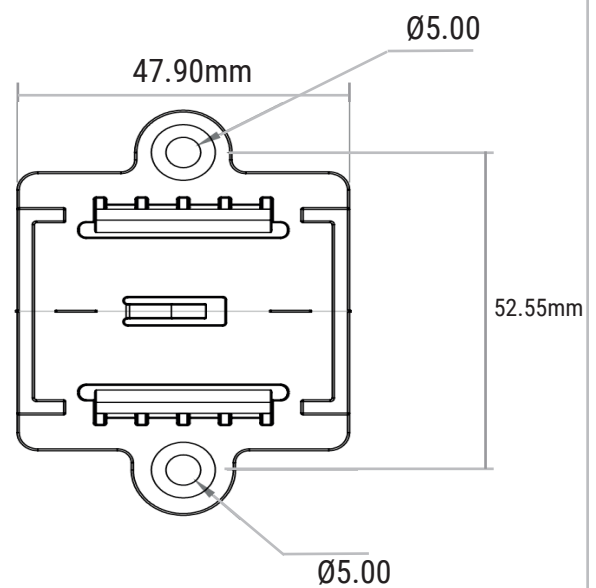


LED Tetra EdgeLine LIGHTING

Slim wall wash fixture for canopies and awnings Tetra EdgeLine delivers brilliant performance in wall wash and canopy lighting applications. The EdgeLine's slim form factor is suitable for mounting in tight application spaces, and its symmetric optical design evenly distributes bright light exactly where you need it.

To ensure every Tetra® EdgeLine installation will operate brilliantly for years, we perform the most extensive, stringent testing in the industry. We test the LED, water and dust ingress protection, sub-system and complete system at our in-house and independent laboratories around the world. Validation of our designs, components, products and processes include high temperature, high humidity and accelerated life testing.



Power Supply	24V DC
Power Consumption	16.7 W/m
Colour Temperature	6500K
Lumens	2600Lm/m
IP Rating	IP66
Material	Plastic
Paint Colour	NonBlure Plastic
Warranty	10 years
Working Temperature	-40°C to 60°C
Certification	CE, UKCA, ROHS, IP66

EXAMPLES

