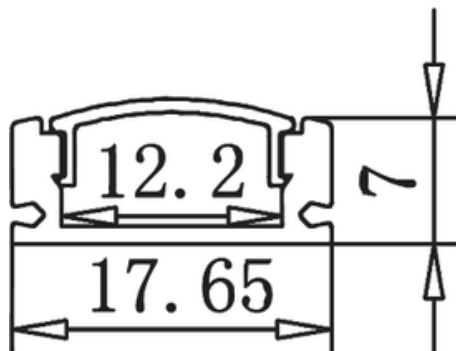


17.5x7mm Aluminium Profiles

Available in lengths up to 2 metres in an Anodized finish. This profile is perfect for Architectural applications where Mechanical and Thermal protection is required for the LED strip. AT a depth of just 7mm. This profile works well for Linear lighting discreet under counter or shelf lighting. Giving a finished look to the led strip while adding protection. End caps available to complete finished luminaire.



Profile Material	Anodized Aluminium Extrusion
Cover	Milky
Lenght	2 Metre
IP Rating	IP20, IP65, IP67 and IP68
Mounting	Metal Mounting Clips
Light Colour	White, Warm White, RGB and Colour Change
Warranty	2 years
Working Temperature	-40°C to 70°C
Certification	CE & RoHS